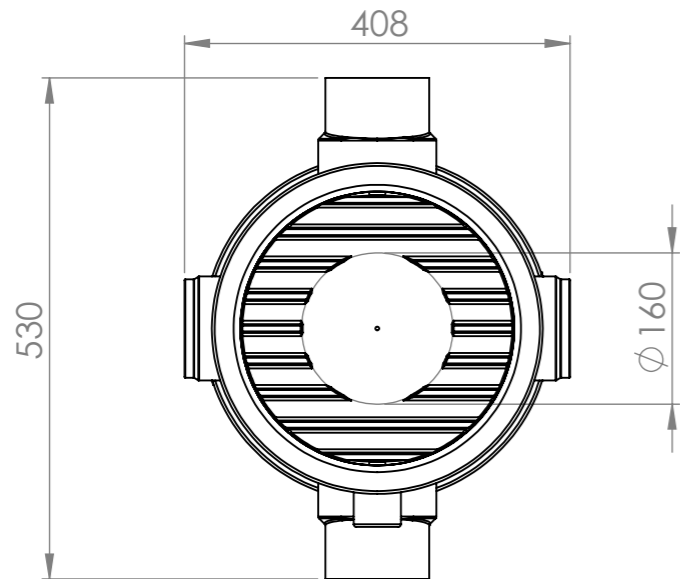

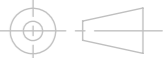


SECTION A-A



PROPRIETARY AND CONFIDENTIAL
 THE INFORMATION CONTAINED IN THIS
 DRAWING IS THE SOLE PROPERTY OF
 GEP BENELUX. ANY REPRODUCTION IN PART
 OR AS A WHOLE WITHOUT THE WRITTEN
 PERMISSION OF GEP BENELUX IS PROHIBITED.

UNLESS OTHERWISE SPECIFIED: DIMENSIONS ARE IN MILLIMETERS SURFACE FINISH: TOLERANCES: LINEAR: ANGULAR:			PROJECT:	DEBUR AND BREAK SHARP EDGES	DO NOT SCALE DRAWING	REVISION 00	
DRAWN			NAME	SIGNATURE	DATE	PROPERTY OF:	
CHK'D			04-10-2012			 GEP Benelux B.V. Kolk 52 4241 TJ Arkel T 0183-610520 F 0183-610530 E info@regenwater.nl W www.regenwater.com	
APPV'D							PART NAME:
MFG							Trident 325
Q.A			MATERIAL:			DWG NO.	
			PE			Proj:	
VOLUME:			SCALE: 1:8			 A3	
			SHEET 1 OF 1				